

NAME	DATA	RACE	TRACK	ROAD SURFACE PATTERN CARPET · URETHANE · FLOORING · TILE
------	------	------	-------	---

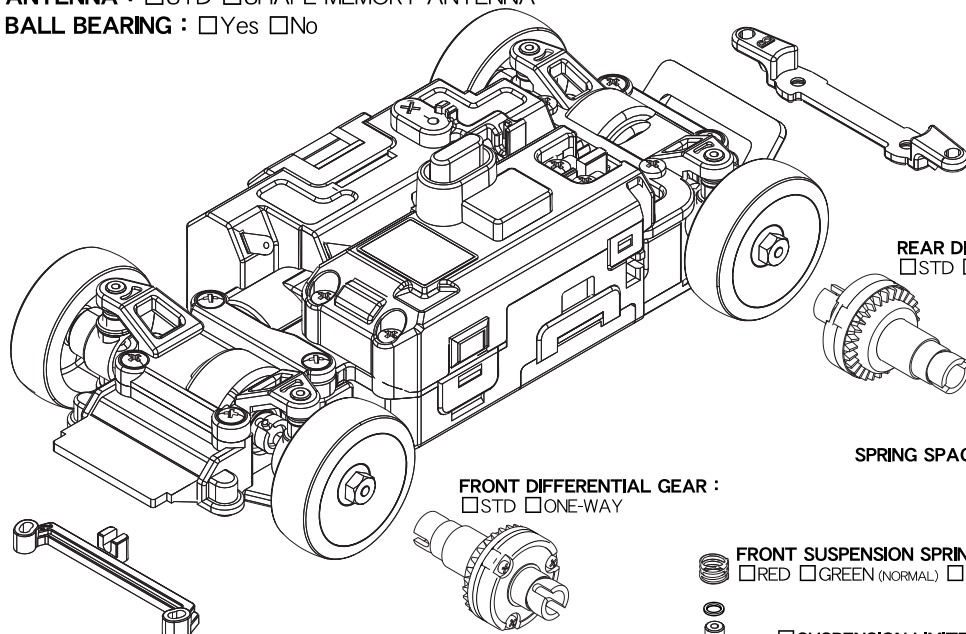
**CHASSIS :** STD SP SKELETON SP COLOR

**WHEEL BASE :** M L

**ANTENNA :** STD SHAPE MEMORY ANTENNA

**BALL BEARING :** Yes No

SETTING Fun · Grip · Drift
BODY
BATTERY ALKALINE DRY · SPEED POWER 900



**REAR TIE ROD :**  
A/±0deg B/TOE IN 0.5deg  
C/TOE IN 1.5deg

**REAR DIFFERENTIAL :**  
STD BALL BEARING

**REAR SUSPENSION SPRING :**  
RED GREEN (NORMAL)  
YELLOW

SUSPENSION LIMITER

**REAR CAMBER (KNUCKLE) :**  
STD 0deg 1.5deg  
3.0deg 4.5deg

SUSPENSION LIMITER

**FRONT DIFFERENTIAL GEAR :**  
STD ONE-WAY

**SPRING SPACER**

**FRONT SUSPENSION SPRING :**  
RED GREEN (NORMAL) YELLOW

SUSPENSION LIMITER

**FRONT CAMBER (KNUCKLE) :**  
STD 0deg 1.5deg 3.0deg 4.5deg

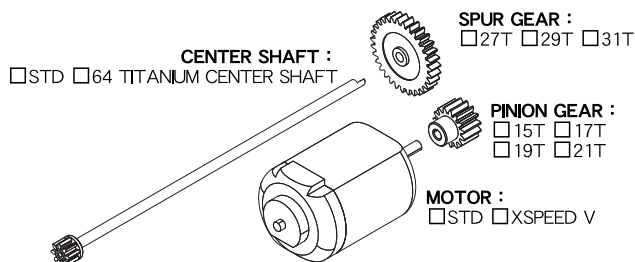
SUSPENSION LIMITER

**FRONT TIE ROD :**  
TOE OUT/0.6deg STD/±0deg  
+2/TOE IN 0.8deg +4/TOE IN 1.5deg  
+6/TOE IN 2.2deg

**SPRING SPACER**

<b>FRONT WHEELS</b>		No.	OFF-SET
<input type="checkbox"/> N	<input type="checkbox"/> W		mm
<b>FRONT TIRE</b>		No.	HARDNESS °
<input type="checkbox"/> N	<input type="checkbox"/> W		
PATTERN		NORMAL · FLAT	

<b>REAR WHEELS</b>		品番No.	OFF-SET
<input type="checkbox"/> N	<input type="checkbox"/> W		mm
<b>REAR TIRE</b>		No.	HARDNESS °
<input type="checkbox"/> N	<input type="checkbox"/> W		
PATTERN		NORMAL · FLAT	



**SPUR GEAR :**  
27T 29T 31T

**PINION GEAR :**  
15T 17T  
19T 21T

**MOTOR :**  
STD XSPEED V

**装着パーツ :**  
ALUMINUM MOTOR HOLDER SET HARD UNIVERSAL SWING SHAFT  
ALUMINUM MOTOR COVER HARD DIFF. CUP JOINT  
ALUMINUM REAR TOE CONTROL ROD SP SERVO GEAR SET  
ALUMINUM FRONT UPPER COVER TITANIUM SCREW SET  
ALUMINUM REAR UPPER COVER

**OTHERS OPTIONAL PARTS :**

---



---



---



---



---